



ARINC 600 Backshell

Customizable rack & panel backshell for ARINC 600 connector

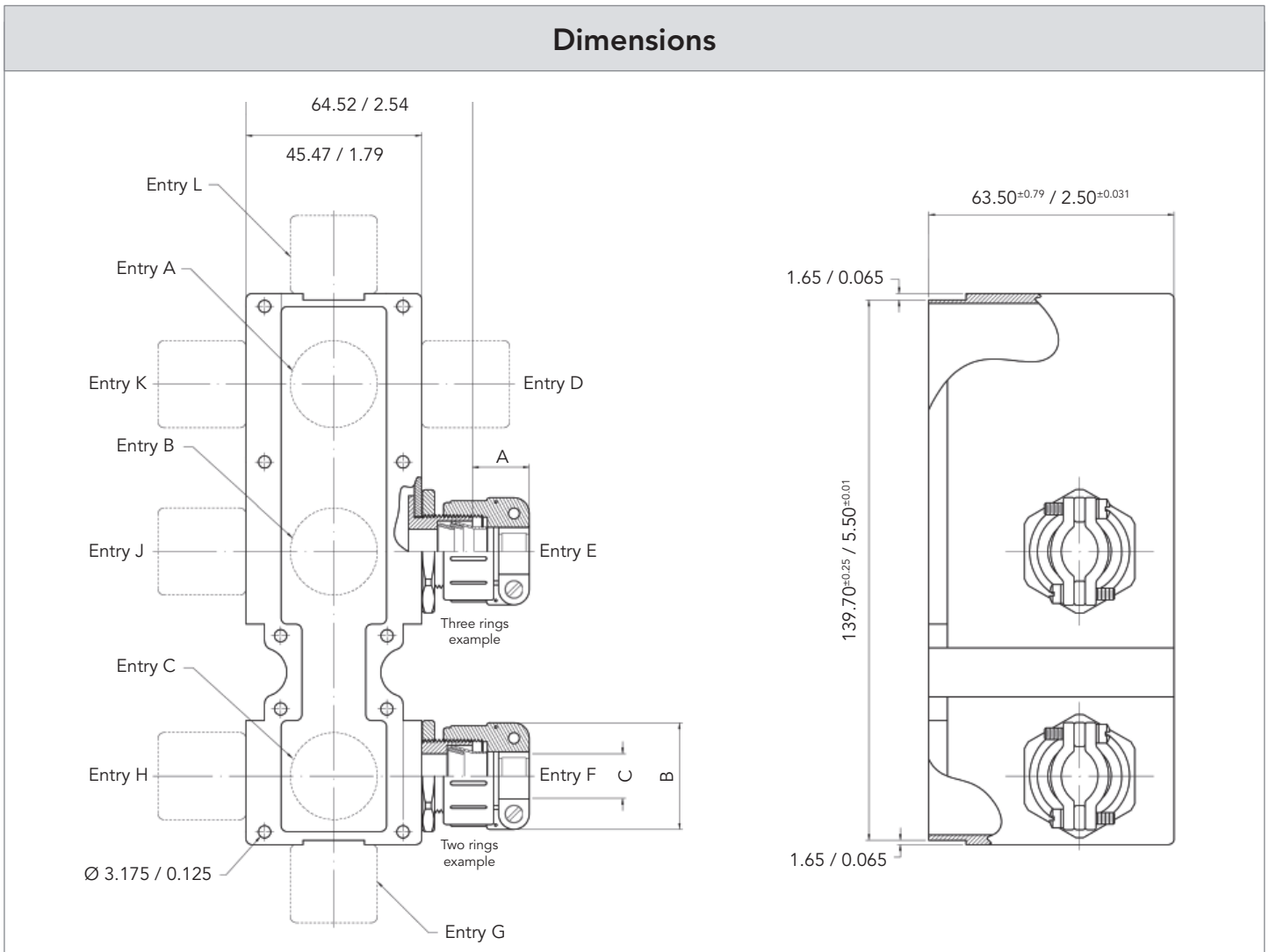
600 Series plug size 2 and 3 ■ RFI / EMI capabilities.

Several entries available ■ Jam nut strain relief options:
Cable Clamp, Tie wrap, S/S Bands, Crimp.

Repairable ■ Designed for quick repair with shield termination
of adapters and fittings.

Plating's available ■ Electroless Nickel, Alodine.

Dimensions



Entry size code

Entry size code	Millimeters				Inches			
	A Max	B Max	C (cable range)		A Max	B Max	C (cable range)	
			Min	Max			Min	Max
03	19.30	21.44	3.99	6.35	0.76	0.844	0.157	0.25
04	19.30	23.01	4.75	7.92	0.76	0.906	0.187	0.312
06	19.30	27.76	7.14	11.10	0.76	1.093	0.281	0.437
08	19.30	30.15	8.74	14.27	0.76	1.187	0.344	0.562
10	19.30	32.54	9.53	15.88	0.76	1.281	0.375	0.625
12	19.30	38.10	11.13	19.05	0.76	1.50	0.438	0.75
16	27.25	43.66	14.27	23.83	1.073	1.719	0.562	0.938

Note: All dimensions are in millimeters/inches (mm/inch)



For further information contact us at sunbank.sales@esterline.com
or visit our web site www.sunbankcorp.com